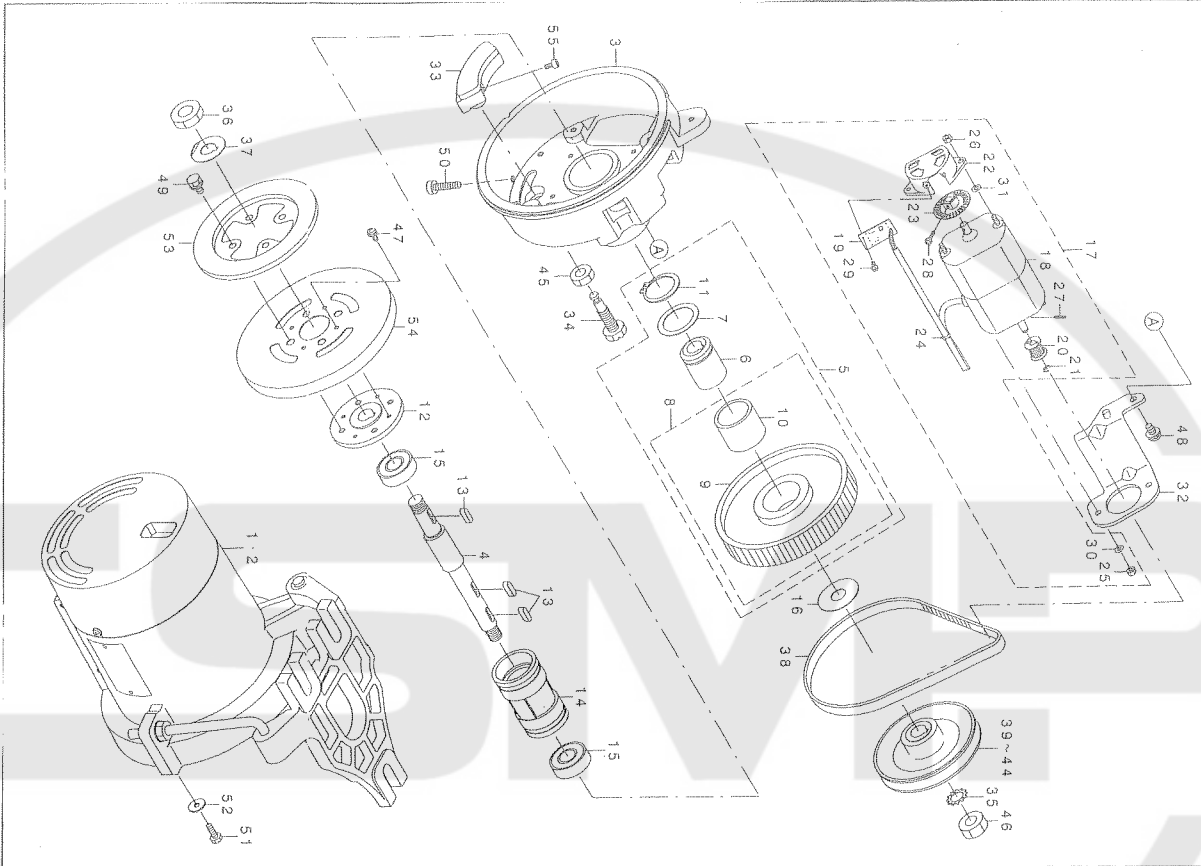


**NC-10**

**PARTS LIST**

29291200  
No.1178-00

1. MOTOR COMPONENTS(1)  
モーター関係 (1)



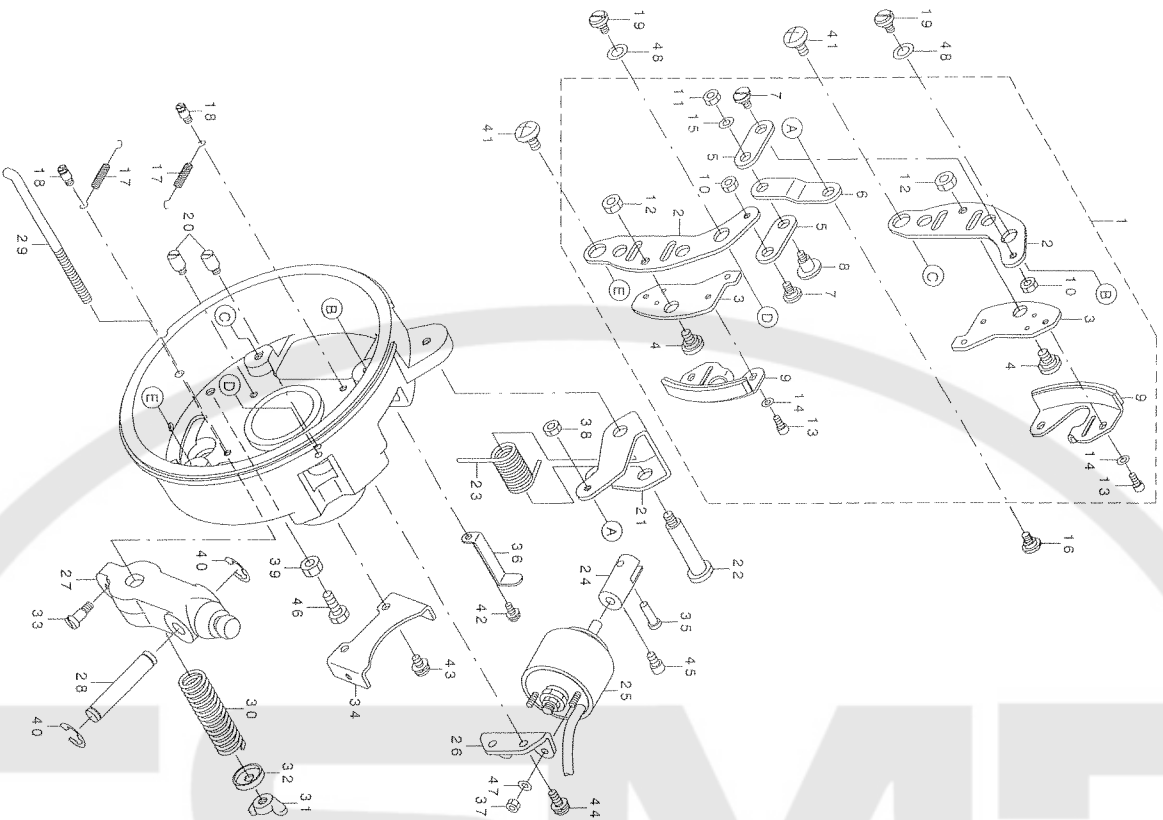
REF. NO.	NOTE	PART NO.	P. E. C. R. I. P. T. I. O. N.	Q. T. Y.
1	#02	GNC-10110A0	NC-10A REAR FRAME ASM.	1
2	#03	GNC-10110CA0	NC-10C REAR FRAME ASM.	1
3		GNC-10130000	FRONT FRAME	1
4		GNC-10131000	FRONT SHAFT	1
5		GNC-10133000	DRIVE PULLEY B ASM.	1
6		GNC-10133000	PULLEY BUSHING	(1)
7		GNC-10134000	BUSH THROUST. SMALL	(1)
8		GNC-015210A0	PULLY B COMPL.	(1)
9		GNC-01521000	PULLY B	(1)
10		GNC-01522000	BEARING	(1)
11		RC-3500001-KP	RETAINING RING 30	(1)
12		GNC-10138000	CLUTCH INSTALLING BASE	1
13		GNC-10140000	KEY L=16	3
14		GNC-10140000	MOTOR BUSHING	1
15		SB-1150003-00	BALL BEARING A	2
16		GNC-10142000	BUSH THROUST. LARGE	1
17		GNC-10164A00	DRIVE MOTOR A ASM. (220V)	1
18		GNC-10164A00	DRIVE MOTOR (220V)	(1)
19		GNC-101650A0	WP DEFLECT CIRCUIT BOARD ASM.	(1)
20		GNC-01511000	PULLY A	(1)
21		GNC-01513000	E-RING	(1)
22		A6013-7/6-000	BRACKET	(1)
23		A7121-880-000	PLATE	(1)
24		EA-9500B00-00	CLIP CV-70S	(1)
25		NM-6040001-SC	NUT M4	(2)
26		NM-6040002-SF	NUT M4	(2)
27		PS-0200122-NH	SPRING PIN 2.0X12	(1)
28		SL-5031251-SP	SCREW M5X12	(1)
29		ST-5030651-SN	SCREW M5X8	(1)
30		WP-0450801-SD	WASHER 4.5X10X0.8	(2)
31		WP-0450805-SD	WASHER 4.8X11.5X2	(2)
32		GNC-10166000	SUPPORT MOTOR BRACKET	1
33		GNC-101740A0	SUPPORT BRAKE ASM.	1
34		GNC-10176000	SUPPORT BRAKE ADJUSTING BOLT	1
35		GNC-10177000	PULLY STOPPER NUT WASHER	1
36		GNC-10178000	CLUTCH INSTALLING BASE NUT M4	1
37		GNC-10179000	CLUTCH	1
38		GNC-01820000	BELT	1
39		MTS-C8110712	MOTOR PULLEY D=95	1
40	#01	MTS-C8110707	MOTOR PULLEY D=75	1
41	#01	MTS-C8110709	MOTOR PULLEY D=85	1
42	#01	MTS-C8110711	MOTOR PULLEY D=95	1
43	#01	MTS-C8110713	MOTOR PULLEY D=105	1
44	#01	MTS-C8110715	MOTOR PULLEY D=115	1
45		NM-6100002-SE	NUT FOR STUD BOLT	1
46		NM-6120002-SE	SCREW M4 L=10	4
47		SL-4041091-SC	SCREW M4 L=10	2
48		SL-4061291-SE	SCREW	1
49		SL-9061293-SE	WASHER HEXAGONAL BOLT	1
50		SM-9062503-SB	BOLT	4
51		SM-9051450-SC	SCREW M5X0.8 L=14	1
52		WP-0653216-SD	WASHER	3
53		GNC-101350A0	CLUTCH CORE ASM.	1
54		GNC-10137000	CLUTCH PLATE	1
55		SM-6040002-TP	SCREW M4X0.7 L=8	1

NOTE (注記)  
#01...SPECIAL ORDER PARTS  
#02...FOR 1-PHASE 220V & 1-PHASE 240V  
#03...FOR 3-PHASE 380V

特別注文部品  
単相220V・単相240V用  
3Φ380V用

## 2. MOTOR COMPONENTS(2)

### モーター関係 (2)



REF. NO.	NOTE	PART NO.	P. I. T. I. O. N.	QTY.
1		GNC-101430A0	BRAKE LINK ASM.	1
2		GNC-10143000	BRAKE LINK	(2)
3		GNC-10144000	BRAKE PLATE BASE	(2)
4		GNC-10145000	BRAKE PLATE BASE SCREW	(2)
5		GNC-10146000	BRAKE CONNECTING LINK	(2)
6		GNC-10147000	SOLENOID CONNECTING LINK	(1)
7		GNC-10148000	BRAKE CONNECTING LINK SCREW	(2)
8		GNC-10148000	SOLENOID CONNECTING LINK SCREW	(1)
9		GNC-10154000	BRAKE PLATE ASM.	(2)
10		NM-6050003-SC	NUT M5X0.8	(2)
11		NM-6050003-SC	NUT M5X0.8	(1)
12		NM-6060003-SE	NUT FOR BRACKET	(2)
13		SM-6040802-TP	SCREW M4X0.7 L=8	(4)
14		WP-0450801-SD	WASHER 4.5X10X0.8	(4)
15		WP-0601046-SC	WASHER 5 X 13 X 1	(1)
16		GNC-10148000	BRAKE CONNECTING LINK SCREW	1
17		GNC-10150000	BRAKE RETURN SPRING	2
18		GNC-10151000	BRAKE RETURN SPRING	2
19		GNC-10152000	BRAKE LINK SCREW	2
20		GNC-10153000	BRAKE PLATE STOPPER	2
21		GNC-10156000	SOLENOID LINK	1
22		GNC-10158000	SOLENOID LINK SHAFT	1
23		GNC-10159000	SOLENOID RETURN SPRING	1
24		GNC-10160000	SOLENOID JOINT	1
25		GNC-101610A0	BRAKE SOLENOID ASM.	1
26		GNC-10162000	SOLENOID BRACKET	1
27		GNC-101670A0	MOTOR LEVER ASM.	1
28		GNC-10169000	MOTOR LEVER SHAFT	1
29		GNC-10170000	LEVER ADJUSTING HOOK	1
30		GNC-10171000	LEVER ADJUSTING SPRING	1
31		GNC-10172000	LEVER ADJUSTING SCREW	1
32		GNC-10173000	LEVER ADJUSTING SCREW PLATE	1
33		GNC-10217000	ROD END SCREW	1
34		GNC-10403000	BELT COVER STAY	1
35		GNC-01322000	PLUNGER PIN	1
36		GNC-01323000	PLUNGER PIN GUIDE	1
37		NM-6040000-SN	NUT M4	2
38		NM-6050003-SC	NUT M5X0.8	1
39		NM-6060003-SE	NUT FOR BRACKET	1
40		RE-0800000-KO	E-SHAPED SNAP RING (RAM)	2
41		SD-1200276-SP	SCREW	2
42		SL-4041091-SC	SCREW M4 L=10	2
43		SL-4051091-SC	SCREW M5X0.8 L=10	2
44		SL-4051491-SC	WASHER SCREW	2
45		SM-6050802-TP	SCREW M5X0.8 L=8	1
46		SM-6061603-SE	SCREW M6 L=16	1
47		WP-0450000-SD	WASHER 4.5X8X0.5	2
48		WP-0820526-SD	WASHER 8.2X14X0.5	2

### 3. CONTROL BOX COMPONENTS コントロールボックス関係

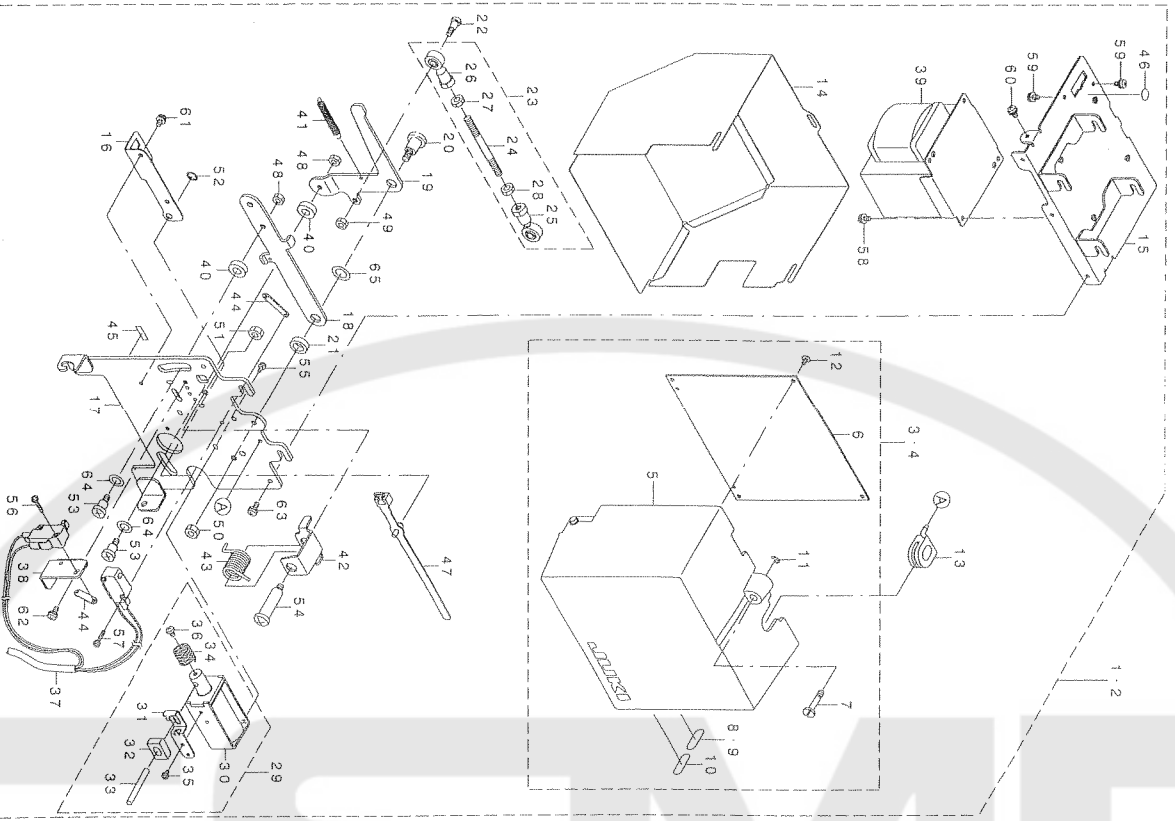


FIG. NO.	NOTE	PART NO.	D E S C R I P T I O N	QTY.
1	-01	GNC-102000A0	NC-10A CONTROL BOX ASM.	1
2	-02	GNC-102000B0	NC-10B CONTROL BOX ASM.	1
3	-01	GNC-10201A0	FRONT COVER A ASM.	(1)
4	-02	GNC-10201B0	FRONT COVER B ASM.	(1)
5		GNC-10201000	FRONT COVER	(1)
6		GNC-103000A0	CTL CIRCUIT BOARD A ASM.	(1)
7		M312-301-000	SCREEN	(1)
8	-01	M7003-428-A00	VOLTAGE LABEL 220V	(1)
9	-02	M7003-428-B00	VOLTAGE LABEL 240V	(1)
10		M7004-428-A00	PULLEY LABEL D=100	(1)
11		RE-0400000-K0	E-RING 4	(1)
12		SV-4030601-SR	SCREEN M3 L=6	(1)
13		GNC-10202000	CORD HUSH	(1)
14		GNC-10205000	REAR COVER	(1)
15		GNC-102060A0	BOX UPPER SUPPORT	(1)
16		GNC-10209000	CONNECTOR SUPPORT	(1)
17		GNC-102120A0	LEVER DEVICE BASE ASM.	(1)
18		GNC-10213000	LEVER A	(1)
19		GNC-10214000	LEVER B	(1)
20		GNC-10215000	LEVER A SCREW	(1)
21		GNC-10216000	LEVER A SCREW COLLAR	(1)
22		GNC-10217000	ROD END SCREW	(1)
23		GNC-102180A0	CONNECTING ROD ASM.	(1)
24		GNC-10218000	CONNECTING ROD	(1)
25		GNC-10220000	ROD END LEFT	(1)
26		GNC-10219000	ROD END RIGHT	(1)
27		NM-6060003-SE	NUT FOR BRACKET	(1)
28		GNC-10221000	ROD END MIDDLE	(1)
29		GNC-10222000	CONTROL SOLENOID COMPL.	(1)
30		GNC-102220A0	CONTROL SOLENOID ASM.	(1)
31		GNC-10223000	LEVER CONTROL PIN GUIDE	(1)
32		GNC-10224000	RUBBER	(1)
33		GNP-01330000	CONTROL PIN	(1)
34		GNP-01332000	CONTROL PIN SPRING	(1)
35		SL-4030601-SF	SCREEN M3 L=6	(1)
36		SW-4030601-SW	SCREEN M3 L=6	(1)
37		GNC-102250A0	NC SWITCH ASM.	(1)
38		GNC-10226000	L SWITCH BASE	(1)
39		GNC-10330A00	TRANSFORMER ASM. A	(1)
40		GNP-01313000	SPACER	(1)
41		GNP-01314000	SPRING	(1)
42		GNP-01340000	SW LINK	(1)
43		GNP-01341000	SW LINK SPRING	(1)
44		111-02308	MICRO SWITCH PLATE	(1)
45		M7002-428-A00	SEAL A	(1)
46		ES667-318-700	EARTH WIRE	(1)
47		HX-0036200-00	CABLE CLAMP	(1)
48		NM-6050003-SC	NUT HEXO. 8	(2)
49		NM-6050002-SC	NUT HEXO. 8	(1)
50		NM-6050003-SE	NUT FOR BRACKET	(1)
51		NM-6050003-SE	NUT FOR BRACKET	(1)
52		NP-2105800-00	PUSH NUT	(1)
53		SP-06900806-SP	HINGE SCREW D=8.0 H=8.0	(1)
54		SP-1003206-SP	HINGE SCREW D=10.0 H=32.0	(1)
55		SL-4030881-SF	SCREEN	(1)
56		SL-4031831-SF	SCREEN KX116	(2)
57		SL-4031831-SC	SCREEN KX116	(2)
58		SL-4040891-SC	SCREEN M4 L=8	(4)
59		SL-4040891-SC	SCREEN M4 L=8	(2)
60		SL-4040891-SC	SCREEN M4 L=8	(2)
61		SL-4040891-SC	SCREEN M4 L=8	(2)
62		SL-4041091-SC	SCREEN M4 L=10	(1)
63		SL-4041091-SC	SCREEN M4 L=10	(1)
64		MP-0820520-SD	WASHER 8.2X14X0.5	(3)
65		MP-1092000-SD	WASHER M10	(1)

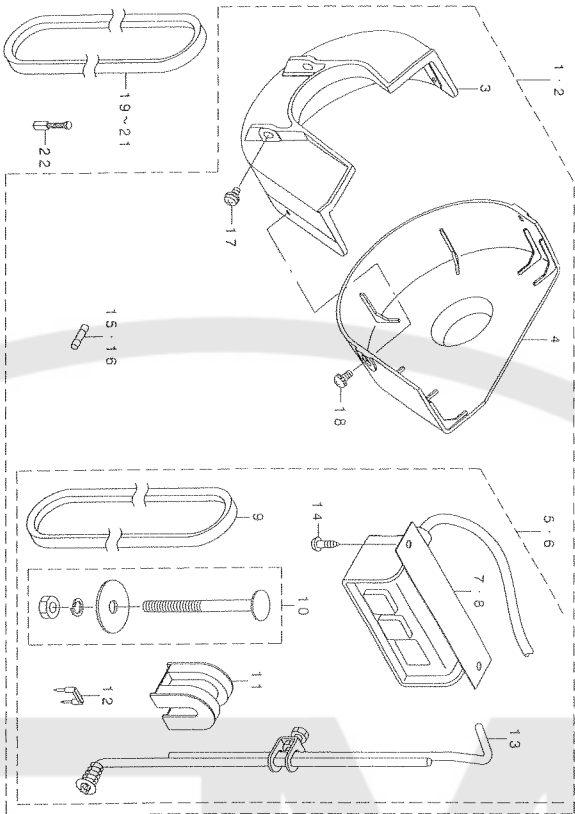
NOTE (注記)  
 #01...FOR 1-PHASE 220V & 3-PHASE 380V  
 #02...FOR 1-PHASE 240V

規格220V, 3相380V用  
 規格240V用



# 5. ACCESSORIES PARTS COMPONENTS

## 付属品関係



REF. NO.	NOTE	PART NO.	DESCRIPTION	QTY.
1	=01	GNC-10400AA0	NC-10 ACCESSORIES PARTS ASM..A	1
2	=02	GNC-10400BA0	NC-10 ACCESSORIES PARTS ASM..B	(1)
3		GNC-10401000	BELT COVER A	(1)
4		GNC-10402000	BELT COVER B	(1)
5	=01	GNC-10410AA0	MOTOR ACCESSORIES PARTS ASM..A	(1)
6	=02	GNC-10410BA0	MOTOR ACCESSORIES PARTS ASM..B	(1)
7	=01	MTS-08621004	POWER SWITCH ASM., 110-240V	(1)
8	=02	MTS-08621005	POWER SWITCH ASM., 220-415V	(1)
9		MTS-B8166343	BELT (4.3 INCH)	(1)
10		GNC-104110A0	MOTOR SUSPEND. ROD T.SFT	(3)
11		GNC-10412000	VIBRO ISOLATING RUBBER	(1)
12		GNC-10413000	STAPLE	(5)
13		GNC-104140A0	PEDAL CONNECTING ROD	(1)
14		SR-3612000-SE	WOOD SCREW	(2)
15		IF-0041010-00	FUSE 10A	(1)
16		IF-0041031-ES	FUSE 15A	(1)
17		SL-4091091-SC	SCREW METO. 8 L=10	(2)
18	=03	SL-4091091-SC	SCREW METO. 8 L=10	(2)
19		MIS-28100341	BELT (4.1 INCH)	(1)
20	=03	MIS-28100342	BELT (4.2 INCH)	(1)
21		MIS-28100344	V BELT (4.4 INCH)	(1)
22		GNC-10180000	CARBON BRUSH	1

NOTE (注記)

#01... FOR 1-PHASE 220V & 1-PHASE 240V  
 #02... FOR 3-PHASE 380V  
 #03... SPECIAL ORDER PARTS

単相220V 単相240V用  
 3相380V用  
 特別注文部品